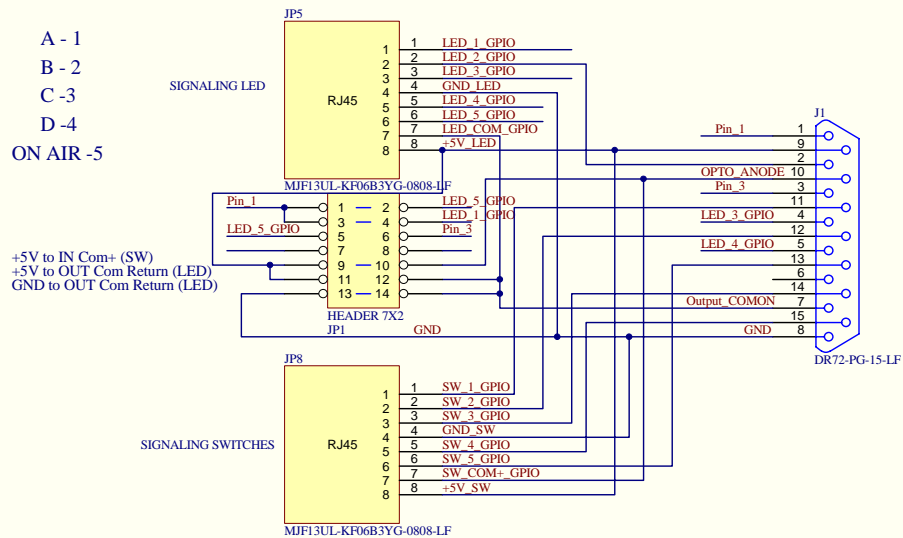


A - 1
 B - 2
 C - 3
 D - 4
 ON AIR - 5



Title: Axia GPIO Dongle V1		XI-Audio LTD. 20 Crummer road Porirua Auckland 1001 New Zealand	
Document file: E:\ELDESIGN\PROTEL\DXP WORKS\XI-audio\Axia GPIO Dongle\GPIO Dongle V1.SchDoc		Size: Cad B	
Date: 27/07/2006	Version: file.no	Revision: A	Sheet: 1 of 1